



# AP MOTRONIX PRIVATE LIMITED

3-18-3, Pragathi Nagar, Ramanthapur, Hyderabad – 500013. INDIA.

Off.: 040-27038560/1929

Website: [www.apmotronix.com](http://www.apmotronix.com)

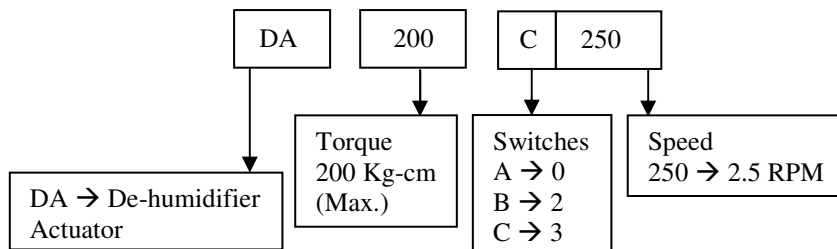
E-mails: [sales@apmotronix.com](mailto:sales@apmotronix.com);

[purchases@apmotronix.com](mailto:purchases@apmotronix.com)

## ROTARY ELECTRIC ACTUATOR (APM-DA SERIES)

This type of our rotary actuator compared to the AR4 type is compact in size. It consists of our Geared Servo Motor (GSM) along with suitable reduction gear box. The motor is 230 (or 115) V AC, 50Hz, 1 $\Phi$  or 3 $\Phi$ . The motor is compact, quickly reversible and is impedance protected to withstand continuous overload of locked rotor condition. The gears are hobbled in-house and assembled selectively for extended performance. For less than a revolution, the unit can be fitted with limit switches (field adjustable) for extreme ends cut off; for continuous rotation the switch/cam/potentiometer are absent.

### SERIES CODE:

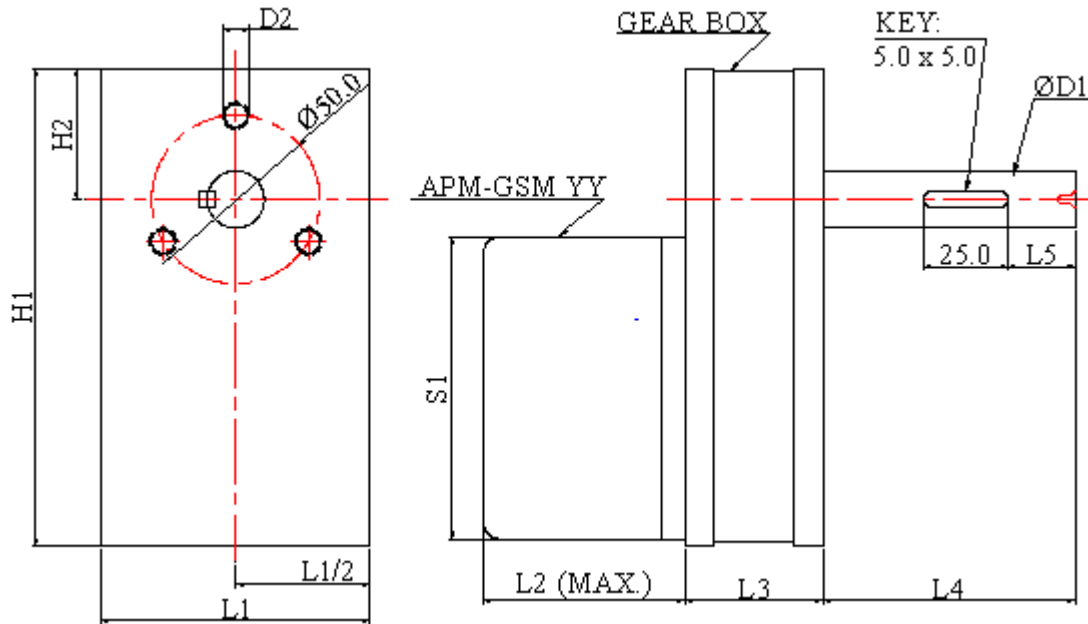


### ELECTRICAL SPECIFICATIONS:

1. **Supply Voltage** : AC, 230V, 50Hz, 1 $\Phi$
2. **Power Consumption** : 20, 40, 60, 90 Watts (depending on the torque).
3. **Stroke** : Continuous or Factory set at 90<sup>0</sup>, 160<sup>0</sup> or 270<sup>0</sup>.  
(Field adjustable).
4. **Auxiliary Switch (Optional)**: 5 A, 250V, 50Hz, NO or NC. (Operated at only one fixed point).

5. **Feedback Potentiometer** : 1.0 k $\Omega$ , 1 watt, 1 Turn standard matched to stroke angle of either 90<sup>0</sup>, 160<sup>0</sup> or 270<sup>0</sup>.
6. **Torque-Speed capabilities** : Total gear ratio is adjusted at factory to achieve suitable torque-speed combination.

**MECHANICAL SPECIFICATIONS:**



MODEL	GSM YY	L1	*L2	L3	L4	L5	H1	H2	S1	$\Phi D1$	**D2
DA-100	GSM60	85	100	36	60	5	126	37	72	12.7	M6
DA-200	GSM52	110	155	56	100	45	142	39	90	17.0	M8

**NOTE:**

- 1) \*L2: Pls. ask to confirm.
- 2) \*\*D2: Mounting screws should not project more than 7.0mm in to the plate.
- 3) KEY: It is optional; the shaft often is "D" shaped.

**ORDERING DATA:** Clearly indicate in your purchase order the following:

**Operating Voltage** : 230/115 V AC, 50Hz, 1 or 3 $\Phi$ .

**Torque** : Max. 200 Kg-cm.

**Speed** : Max. 2.5 RPM

**Feed Back Potentiometer:** Resistance Value, Single or Multi turn, Wattage (Except for continuous rotation).

**Special Requirement** : Please specify number of switches (Except for continuous rotation).

